

4K H.265 PoE NVR 5000 Series



MS-N5016-UPT

[DATASHEET](#)

KEY FEATURES

- ▶ **8*PoE Ports** (8*PoE ports design provides just one step to connect camera to NVR.)
- ▶ **8*1080P, 16*720P** (Maximum supporting 8*1080P or 16*720P network cameras viewing at the same time.)
- ▶ **HDMI & VGA** (Providing both HDMI and VGA ports for users to choose according to their monitor types.)
- ▶ **2*3.5"HDD** (2 SATA of 3.5"HDD, providing 10TB capacity for each HDD, up to 20TB total hard disk storage.)

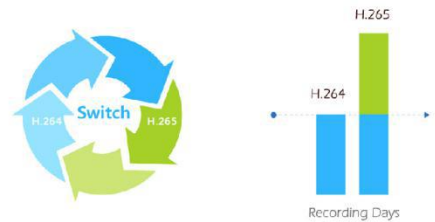
Plug and Play

Milesight PoE NVR 5000 Series features 8 independent PoE ports. The NVR will automatically detect, configure and play the live view of the network cameras once the cable is plugged.



H.265+H.264

Smartly figure out and switch between H.264 and H.265 automatically. It will extend the days to save recording file with H.265 than with other compressions.



Powerful Decoding Capacity

Maximum support 8*1080P or 16*720P network cameras viewing at the same time.



4K Video Viewing Experience

Milesight 4K H.265 PoE NVR 5000 Series supports up to 4K definition (3840*2160, effectively four times that of Full HD) live viewing, playback and recording, providing users with ultra-high-definition video viewing experience.





Model		MS-N5016-UPT
Video/Audio Input	Network Video Input	16-CH
	Bandwidth	160Mbps
Video/Audio Output	HDMI Output	1-CH, Resolution: 3840x2160/30Hz, 1920x1080/60Hz, 1920x1080/50Hz, 1280x1024/60Hz, 1280x720/60Hz, 1024x768/60Hz HDMI Supports Audio Output
	VGA Output	1-CH, Resolution: 1920x1080/60Hz, 1920x1080/50Hz, 1280x1024/60Hz, 1280x720/60Hz, 1024x768/60Hz
	Dual Stream	Support
	Recording Resolution	8MP/6MP/5MP/4MP/3MP/1080P/UXGA/720P/D1/VGA/CIF/QCIF
	Synchronous Preview/Playback	2*(30fps @8MP), 2*(30fps @6MP), 3*(20fps @5MP), 4*(20fps @4MP), 5*(30fps @3MP), 8*(30fps @1080P), 16*(30fps @720P)
Video/Audio Compression	Video Compression	H.265(HEVC)/H.264
	Audio Compression	G.711 U-Law
	Sample Rate	8KHz/16KHz
	Synchronous Recording	16*5MP
Storage	Driver	2*SATA HDD(3.5")
	Capacity	Up to 10TB capacity for each HDD
Recording Management	Recording	Manual Recording, Timing Recording, Motion Detection Recording, Alarm Recording, Motion Detection or Alarm Recording, Motion Detection and Alarm Recording
	Snapshot	Manual Snapshot
	Playback	Video Playback, Image Playback
Backup	Backup	Video Backup, Image Backup
Network	Protocol	IPv4, TCP, UDP, RTP, RTSP, RTCP, HTTP, DNS, DDNS, DHCP, NTP, SNTP, SMTP
External Interface	Network Interface	1*RJ45 100M/1000M
	USB Interface	1*USB 3.0; 2*USB 2.0
	Audio Output	1*RCA
	Alarm Input/Output	4-CH/1-CH
PoE Interface	Interface	8*RJ45 10M/100M
	Power Output	≤120W
	Supported Standard	IEEE 802.3af
General	Keyboard Control	Milesight Keyboard (MS-K02)
	Power Supply	AC 100V~240V 50Hz~60Hz
	Consumption	≤10W(Without HDD, without enabling PoE)
	Working Conditions	Temperature: -10℃~+55℃ Humidity: 10%~90%
	Dimensions	1.0U Standard Chassis 440mm(W)×251mm(D)×44.4mm(H)
	Weight	3.5Kg
	Warranty	3/5 Years

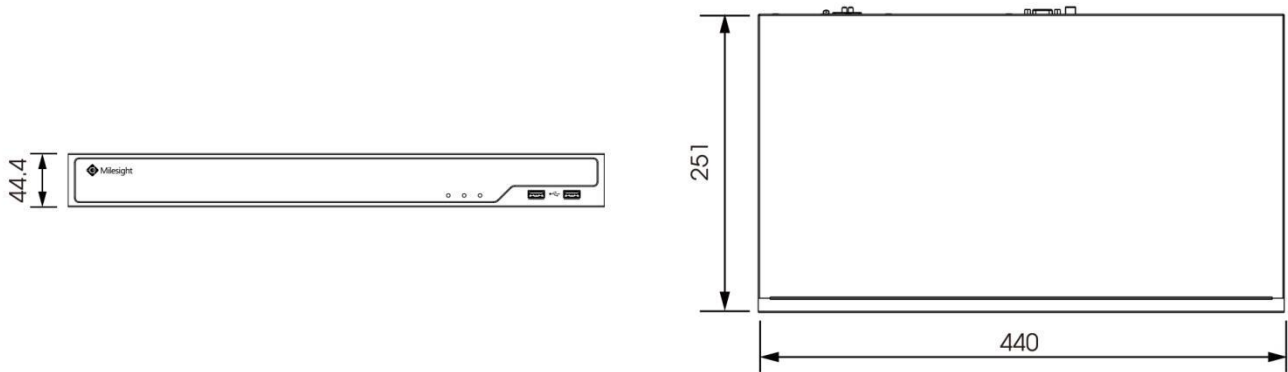


Interfaces



- 1. Run Indicator
- 2. HDD Indicator
- 3. Power Indicator
- 4. USB
- 5. PoE Ports
- 6. Audio Out
- 7. VGA
- 8. HDMI
- 9. USB
- 10. Ethernet Port
- 11. Alarm In/Out
- 12. Power Button

Structure Diagrams



Units: mm

Naming Convention

